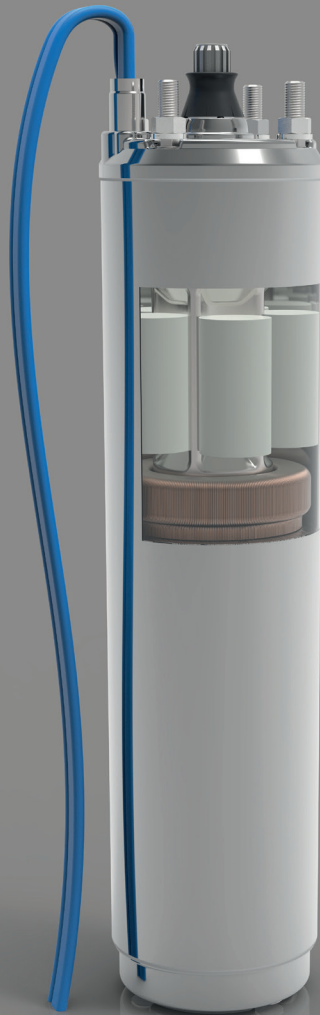


4W M2W

50 Hz - 60 Hz



**BUILT-IN CAPACITOR
AND THERMAL
PROTECTION**

**4" SINGLE-PHASE 2-WIRE WATER COOLED
SUBMERSIBLE MOTORS, CANNED TYPE**



Made in Italy



TECHNICAL SPECIFICATIONS

MOTORS WITH AIRTIGHT SEALED AND RESIN ENCAPSULATED STATOR

MOTOR/PUMP FLANGE
4" NEMA STANDARD

POWERS
Single-phase: from 0,5 to 1,5 Hp

VOLTAGE
Single-phase:
2-wire PSC type 230 V / 50 Hz
2-wire PSC type 115;230 V / 60 Hz

THRUST LOAD
50 Hz from 0,5 to 1 Hp: 2000 N
1,5 Hp: 3000 N
60 Hz from 0,5 to 0,75 Hp: 2000 N
from 1 to 1,5 Hp: 3000 N

CONSTRUCTION FEATURES

BUILT-IN CAPACITOR AND THERMAL PROTECTION, which allow an immediate use of the motor without needing to install an electrical control panel of protection.

PARTS IN CONTACT WITH WATER all made in AISI 304 stainless steel which ensures resistance to corrosion even in the most extreme conditions of use. External sleeve made in AISI 304L (Low Carbon) for a greater resistance to corrosion.

STATOR with 24 slots, specifically developed to achieve maximum electrical performance. Airtight sealed and resin encapsulated. A solution which ensures excellent heat exchange and extremely high mechanical resistance with high pressure, something typical of very deep immersions.

REMOVABLE POWER CABLE-CONNECTOR to ensure a perfect sealing, also in the most critical conditions, and to aid maintenance operations. The power cable complies with all major standards on the use in drinking water (KTW, ACS, WRAS).

FILLING LIQUID is a mixture of water and propylene glycol to ensure adequate lubrication of the thrust bearing system and to lower the freezing point when stored in very cold places.

RESTORE LIQUID VALVE which allows water in to restore internal level.

SHAFT made in carbon-steel alloys in the rotor area, to foster electrical features. AISI 304 stainless steel projection.



THRUST BEARING SYSTEM King-sbury-type with stainless steel thrust bearing runners oscillating on a self-aligning system. A specific runner lapping process makes this system extremely reliable and efficient.

100% TESTED, all motors are tested at the end of the line. Seal and electrical checks are carried out on all motors.

VERSIONS UPON REQUEST

Different voltage

OPERATING LIMITS

DEGREE OF PROTECTION
IP 68

INSULATION CLASS
F

VOLTAGE TOLERANCE
-10% / +10%

PUMPED LIQUID TEMPERATURE
0°C – 35°C

MIN. COOLING FLOW
0,1 m/s

MAX. STARTS / HOUR
30

MOUNTING
Vertical and/or horizontal

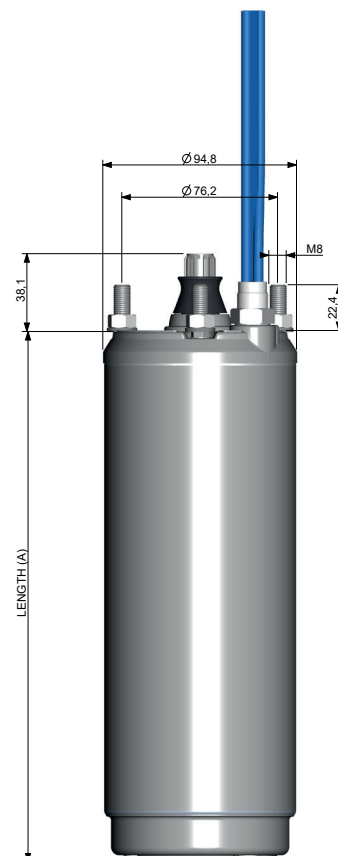
MAX. IMMERSION DEPTH
300 m

SINGLE-PHASE VERSION
2-wire PSC type from 0,5 to 1,5 Hp

ACCESSORIES

Cable lengths: 20 m or 30 m

DIMENSIONS



ELECTRICAL DATA 4WM2W - 50Hz

Type	P ₂ [Hp]	P ₂ [kW]	Voltage [V]	Ph	I _n [A]	I _{av} [A]	rpm	cos φ	η [%]	Capacitor [μF]	Thrust Load [N]	Length A [mm]	Weight [kg]	Cable Length [m]	Cable Section [mm ²]
Single-phase 2-wire PSC															
4WM2W-S050	0,5	0,37	230	1	3,2	13,4	2855	0,95	55	27	2000	337	10,1	1,5	3 x 1,5
4WM2W-S075	0,75	0,55	230	1	4,2	17,4	2850	0,96	60	27	2000	357	10,7	1,5	3 x 1,5
4WM2W-S100	1	0,75	230	1	5,8	23,3	2850	0,93	59	36	2000	377	11,3	1,5	3 x 1,5
4WM2W-S150	1,5	1,1	230	1	7,8	32,7	2845	0,97	67	36	3000	422	12,7	1,5	3 x 1,5

ELECTRICAL DATA 4WM2W - 60Hz

Type	P ₂ [Hp]	P ₂ [kW]	Voltage [V]	S.F.	Ph	FULL LOAD	FULL S.F.	rpm	cos φ	η [%]	Capacitor [μF]	Thrust Load [N]	Length A [mm]	Weight [kg]	Cable Length [m]	Cable Section [mm ²]
						AMPS	AMPS									
						I _n [A]	I _{MAX} [A]									
Single-phase 2-wire PSC																
4WM2W-S050	0,5	0,37	115	1,6	1	8,4	10,5	3450	0,99	52	36	2000	357	10,7	1,5	3 x 1,5
4WM2W-S050	0,5	0,37	230	1,6	1	4	4,8	3450	0,99	54	27	2000	357	10,7	1,5	3 x 1,5
4WM2W-S075	0,75	0,55	115	1,5	1	9,8	10,4	3450	0,96	61	36	2000	377	11,3	1,5	3 x 1,5
4WM2W-S075	0,75	0,55	230	1,5	1	4,8	6	3450	0,96	61	27	2000	377	11,3	1,5	3 x 1,5
4WM2W-S100	1	0,75	230	1,4	1	6,2	7,6	3450	0,98	61	36	3000	397	11,9	1,5	3 x 1,5
4WM2W-S150	1,5	1,1	230	1,3	1	8,1	9,6	3450	0,98	62	36	3000	422	12,7	1,5	3 x 1,5



PM S.r.l.

Via A. Volta, 8
36040 Brendola (VI) - Italy
T. +39 0444 673043
F. +39 0444 677273
info@pmtechnology.eu
www.pmtechnology.eu



ISO 9001:2015 Certified Company

© COPYRIGHT PM S.r.l.

All rights reserved.
All information shown in this catalogue are purely indicative;
PM S.r.l. reserves the right to make any necessary variation without prior
notice.

EDIT: BROCHURE 4WM2W EN/MAR/2023